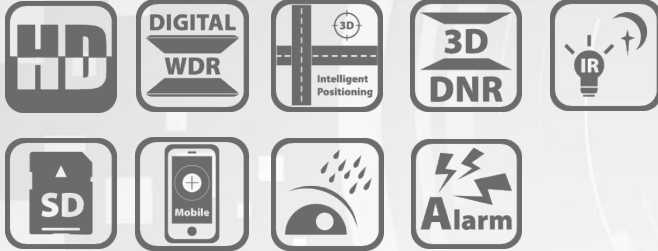


DUNLOP



DP-22DE5220I-AE

2MP 20X Network IR PTZ Dome Camera



DUNLOP DP-22DE5220I-AE PTZ Dome Cameras are able to capture high quality images in low light environment with its black anti-reflective glass. The black anti-reflective glass increase the luminousness which can reach up to 150m IR distance.

Embedded with 1/2.8" progressive scan CMOS chip makes DWDR and 1.3MP real-time resolution possible. With the 20X optical zoom Day/Night lens, the camera offers more details over expansive areas.

Dunlop DP-22DE5220I-AE Dome Cameras also features a wide range of functions, including intrusion detection, line crossing detection and audio exception, benefitting users with great improvement on security efficiency, more importantly, with key events / objects being recorded for further forensic needs.

Key Features

- 1/2.8" Progressive Scan CMOS
- 1280 x 960/1920 x 1080
- 20X Optical Zoom
- DWDR
- 3D intelligent positioning function
- Support EZVIZ cloud P2P
- Up to 150m IR distance
- Hi-PoE / 24VAC power supply
- Support BNC output

DP-22DE5220I-AE

2MP 20X Network IR PTZ Dome Camera



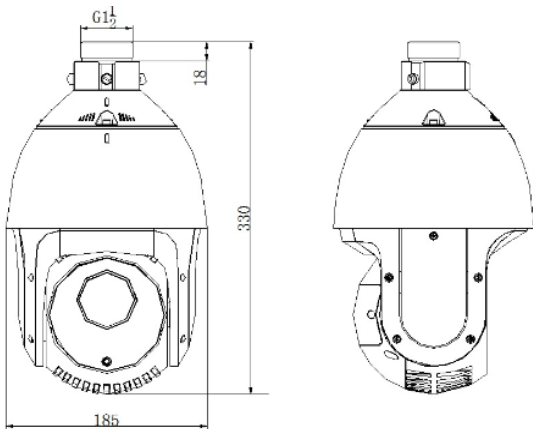
Model	DP-22DE5220I-AE
Camera Module	
Image Sensor	1/2.8" Progressive Scan CMOS
Min. Illumination	F1.5, AGC On: Color: 0.02 lux, B/W : 0.002 lux, 0 lux with IR
Max. Image Resolution	1920 × 1080
Focal Length	4.7-94.0mm, 20x
Digital Zoom	16X
Zoom Speed	Approx.3s(Optical Wide~Tele)
Angle of View	58.3-3.2 degree (Wide~Tele)
Min. Working Distance	10~1,000mm(Wide~Tele)
Aperture Range	F1.6~F3.5
Focus Mode	Auto / Semiautomatic / Manual
DWDR	Support
S / N Ratio	≥ 52dB
Shutter Time	1-1/10,000s
AGC	Auto / Manual
White Balance	Auto / Manual /ATW/Indoor/Outdoor/Daylight lamp/Sodium lamp
Day & Night	IR Cut Filter
Privacy Mask	8 privacy masks programmable
Enhancement	3D DNR, Defog, HLC/BLC
Pan and Tilt	
Range	Pan:360° endless; Tilt: -15°~90°(Auto Flip)
Speed	Pan Manual Speed: 0.1°~400°/s, Pan Preset Speed: 400°/s Tilt Manual Speed: 0.1°~200°/s, Tilt Preset Speed: 200°/s
Number of Preset	300
Patrol	8 patrols, up to 32 presets per patrol
Park Action	Preset / Patrol / Pattern / Pan scan / Tilt scan / Random scan / Frame scan / Panorama scan
Scheduled Task	Auto scan / Frame scan / Random scan / Patrol / Pattern / Preset / Panorama scan / Tilt scan / Dome reboot / Dome adjust / Aux output
Features	
Detection	Intrusion detection, Line crossing detection, Audio exception detection, Motion detection
ROI encoding	Support 4 areas with adjustable levels
Infrared	
IR Distance	Up to 150m
IR Intensity	Automatically adjusted, depending on the zoom ratio
Alarm	
Alarm I/O	2/1
Alarm Trigger	Intrusion detection, Line crossing detection, Audio exception detection, Motion detection, Dynamic analysis, Tampering alarm, Network disconnect, IP address conflict, Storage exception
Alarm Action	Preset, Patrol, Pattern, Recording, Relay output, Upload center, Upload FTP, Email linkage
Input/Output	
Audio Input	1 Mic in/Line in interface, line input: 2-2.4V[p-p]; output impedance: 1KΩ, ±10%
Audio Output	1 Audio output interface, line level, impedance: 600Ω
Network	
Ethernet	10Base-T / 100Base-TX, RJ45 connector
Main Stream	50Hz:25fps(1280×960), 25fps (1280×720), 60Hz:30fps(1280×960), 30fps (1280×720)

DP-22DE5220I-AE 2MP 20X Network IR PTZ Dome Camera



Sub Stream	50Hz:25fps(704× 576), 25fps(352× 288), 25fps(320× 240); 60Hz:30fps(704× 480), 30fps(352× 240), 30fps(320× 240)
Image Compression	H.264/MJPEG
Audio Compression	G.711ulaw/G.711alaw/G.726/MP2L2/G.722
Protocols	IPv4/IPv6, HTTP, HTTPS, 802.1X, QoS, FTP, SMTP, UPnP, SNMP, DNS, DDNS, NTP, RTSP, RTP, TCP, UDP, IGMP, ICMP, DHCP, PPPoE
Simultaneous Live View	Up to 20 users
Mini SD Memory Card	Support up to 128GB Micro SD/SDHC/SDXC card. Support Edge recording
User/Host Level	Up to 32 users,3 Levels: Administrator, Operator and User
Security Measures	User authentication (ID and PW); Host authentication (MAC address); IP address filtering
System Integration	
Application programming	Open-ended API, support ONVIF, PSIA and CG , Support EZVIZ cloud P2P
Web Browser	IE 7+, Chrome 18 +, Firefox 5.0 +, Safari 5.02 +
Power	High-PoE&24 VAC, Max.30W
Working Temperature	-30° C ~ 65° C (-22° F ~ 149° F)
Humidity	90% or less
Protection Level	IP66, TVS 4,000V lightning protection, surge protection and voltage transient protection
Certification	FCC, CE, UL, RoHS, IEC/EN 61000, IEC/EN 55022, IEC/EN 55024, IEC /EN60950-1
Dimensions	Φ266.6(mm)×365.2(mm)
Weight (approx.)	4kg (8.81lbs)
Mount Option	Long-arm wall mount: DS-1602ZJ; Corner mount: DS-1602ZJ-corner; Pole Mount: DS-1602ZJ-pole; Power box mount:DS-1602ZJ-box; Swan-neck mount: DS-1619ZJ

Dimensions



Unit:mm

Accessories



DS-1602ZJ
Wall Mount



DS-1602ZJ-Conner
Conner Mount



DS-1602ZJ-Pole
Pole Mount



DS-1602ZJ-Box
Box Mount



DP-1663ZJ
Ceiling mount



DP-1661ZJ
Pendant mount



DP-1662ZJ
Pendant mount



DP-1619ZJ
Swan-neck Mount



DP-1100KI
Network Keyboard



DP-1005KI
USB Joy-stick