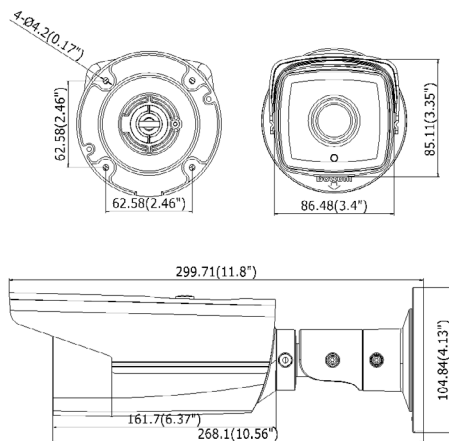




Key features

- 2.0MP
- HD real-time video
- DWDR & 3D DNR
- EXIR illuminators: up to 30m
- IP66
- PoE
- Bracket included

Dimensions



DP-12CD1T22-I3	
Camera	
Image sensor	1/3" Progressive Scan CMOS
Min. illumination	0.01 Lux @(F1.2,AGC ON), 0 Lux with IR 0.014 Lux @(F1.4,AGC ON), 0 Lux with IR
Shutter time	1/3 s to 1/100,000 s
Lens	4 mm @ F2.0 (6mm, 16mm optional) Angle of view: 85°
Lens mount	M12
Day & night	ICR
Digital noise reduction	3D DNR
Wide dynamic range	Digital WDR
Compression Standard	
Video compression	H.264 / MJPEG
H.264 codec profile	BaseLine Profile / Main Profile
Bit rate	32 Kbps ~ 12 Mbps
Dual Stream	Yes
Image	
Max. Image Resolution	1920 X 1080
Frame rate	50 Hz: 25fps(1920 × 1080), 25 fps (1280 × 960), 25 fps (1280 × 720) 60 Hz: 25fps(1920 × 1080), 30 fps (1280 × 960), 30 fps (1280 × 720)
Image settings	Rotate mode, Saturation, Brightness, Contrast adjustable by client software or web browser
Backlight compensation	Yes, zone optional
ROI	Support
Network	
Network storage	NAS
Alarm trigger	Motion detection, tampering alarm, scene change detection, face detection, intrusion detection, Line crossing detection
Protocols	TCP/IP, ICMP, HTTP, HTTPS, FTP, DHCP, DNS, DDNS, RTP, RTSP, RTCP, PPPoE, NTP, UPnP, SMTP, SNMP, IGMP, 802.1X, QoS, IPv6, Bonjour
System compatibility	ONVIF, PSIA, CGI, ISAPI
General functionalities	User Authentication, Watermark, IP address filtering, Anonymous access
Interface	
Communication interface	1 RJ45 10M / 100M Ethernet interface
General	
Operating conditions	-30 °C ~ 60 °C (-22°F ~ 140 °F) humidity 95% or less (non-condensing)
Power supply	12 VDC ± 10% , PoE (802.3af)
Power consumption	-I3: max. 5.5W -I5: max. 7W -I8: max 10W
Ingress protection level	IP66
IR range	-I3: 1pcs EXIR LED, up to 30m -I5: 2pcs EXIR LEDs, up to 50m -I8: 4pcs EXIR LEDs, up to 80m
Dimensions	Ø105mm×300mm
Weight	1200g