

SUPREME
A NEW DEFINITION OF HD



IP8362

Network Bullet Camera

2MP • Full HD • WDR Enhanced

VIVOTEK IP8362 is a best-in-class 1080p outdoor bullet network camera designed for diverse outdoor applications. With full HD resolution in 16:9 aspect ratio and WDR enhancement, users can identify image details in extremely bright as well as dark environments.

The IP8362 supports high-performance H.264/MPEG-4/MJPEG compression technology and offers extra smooth video quality up to 30 fps @ 1080p full HD. Furthermore, the IP8362 boasts a number of innovative technologies, including Video Cropping and Activity Adaptive Streaming, giving user the utmost in bandwidth and storage efficiency.

To adapt to constantly changing lighting conditions, the IP8362 comes with a removable IR-cut filter and built-in IR illuminators for both day and night applications. Its IP66-rated housing protects the camera body against rain and dust and ensures operation under extreme weather conditions. For neat installation and prevention of tampering and vandalism, the IP8362 is also packaged with a mounting bracket that conceals all cabling.

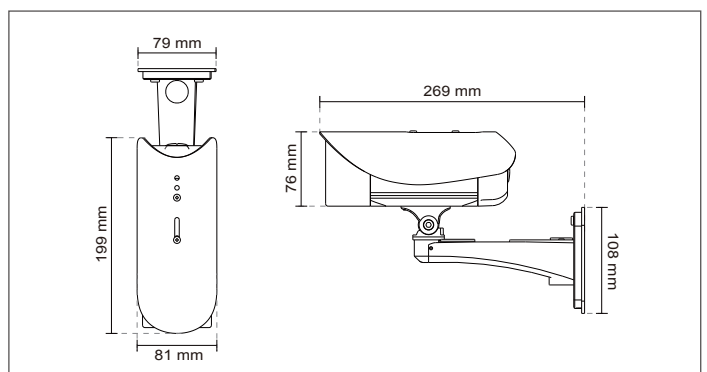
With other advanced features such as tamper detection, 802.3af compliant PoE, SD/SDHC card slot for on-board storage, plus full HD video quality, the IP8362 is the best choice for the most demanding outdoor surveillance applications such as parking lots, entrances, communities, and much more.

Features

- > 2-Megapixel CMOS Sensor
- > Up to 30 fps @ 1080p Full HD
- > 3 ~ 9 mm Vari-focal, Auto-iris Lens
- > Removable IR-cut Filter for Day & Night Function
- > Built-in IR Illuminators, Effective up to 15 Meters
- > Real-time H.264, MPEG-4, and MJPEG Compression (Triple Codec)
- > WDR Enhancement for Unparalleled Visibility in Extremely Bright or Dark Environments
- > Weatherproof IP66-rated Housing
- > Built-in 802.3af Compliant PoE
- > Built-in SD/SDHC Card Slot for On-board Storage
- > Mounting Bracket with Cable Management for Protected Installation

System	<ul style="list-style-type: none"> CPU: TI DM368 SoC Flash: 128MB RAM: 256MB Embedded OS: Linux 2.6 	Alarm and Event Management	<ul style="list-style-type: none"> Triple-window video motion detection Tamper detection One D/I and one D/O for external sensor and alarm Event notification using HTTP, SMTP or FTP Local recording of MP4 file
Lens	<ul style="list-style-type: none"> Board lens, vari-focal, f = 3 ~ 9 mm, F1.2 (wide), F2.1 (tele), auto-iris Removable IR-cut filter for day & night function 	On-Board Storage	<ul style="list-style-type: none"> MicroSD/SDHC card slot Stores snapshots and video clips
Angle of View	<ul style="list-style-type: none"> 38° ~ 113.7° (horizontal) 21.4° ~ 61.2° (vertical) 	Security	<ul style="list-style-type: none"> Multi-level user access with password protection IP address filtering HTTPS encrypted data transmission 802.1X port-based authentication for network protection
Shutter Time	<ul style="list-style-type: none"> 1/5 sec. to 1/32,000 sec 	Users	<ul style="list-style-type: none"> Live viewing for up to 10 clients
Image Sensor	<ul style="list-style-type: none"> 1/2.7" CMOS sensor in 1920x1080 resolution 	Dimension	<ul style="list-style-type: none"> Camera: Ø 70 mm x 186 mm Cable length: 520 mm Cable diameter: Ø 7.2 mm; Max width: Ø 14 mm
Minimum Illumination	<ul style="list-style-type: none"> 0.57 Lux / F1.2 @ 1/30s 0.08 Lux / F1.2 @ 1/5s 0 Lux / F1.2 (IR LED on) 	Weight	<ul style="list-style-type: none"> Net: 990 g
Video	<ul style="list-style-type: none"> Compression: H.264, MJPEG & MPEG-4 Streaming: <ul style="list-style-type: none"> Multiple simultaneous streams H.264 streaming over UDP, TCP, HTTP or HTTPS MPEG-4 streaming over UDP, TCP, HTTP or HTTPS H.264/MPEG-4 multicast streaming MJPEG streaming over HTTP or HTTPS Supports activity adaptive streaming for dynamic frame rate control Supports video cropping for bandwidth saving Supports ePTZ for data efficiency Supports 3GPP mobile surveillance Frame rates : <ul style="list-style-type: none"> H.264: <ul style="list-style-type: none"> Up to 30 fps at 1280x720 Up to 30 fps at 1920x1080 MPEG-4: <ul style="list-style-type: none"> Up to 30 fps at 1280x720 Up to 27 fps at 1920x1080 MJPEG: <ul style="list-style-type: none"> Up to 30 fps at 1280x720 Up to 30 fps at 1920x1080 	LED Indicator	<ul style="list-style-type: none"> System power and status indicator System activity and network link indicator
Image Settings	<ul style="list-style-type: none"> Adjustable image size, quality and bit rate Time stamp and text caption overlay Flip & mirror Configurable brightness, contrast, saturation, sharpness, white balance and exposure AGC, AWB, AES WDR enhanced Focus assist (Networking) Automatic, manual or scheduled day/night mode BLC (Backlight Compensation) Supports privacy masks 	Power	<ul style="list-style-type: none"> 12V DC 24V AC Power consumption: Max. 9.6 W 802.3af compliant Power-over-Ethernet (Class 3)
Audio	<ul style="list-style-type: none"> Compression: <ul style="list-style-type: none"> GSM-AMR speech encoding, bit rate: 4.75 kbps to 12.2 kbps MPEG-4 AAC audio encoding, bit rate: 16 kbps to 128 kbps G.711 audio encoding, bit rate: 64 kbps, μ-Law or A-Law mode selectable Interface: <ul style="list-style-type: none"> External microphone input Audio output Supports two-way audio Supports audio mute 	Housing	<ul style="list-style-type: none"> Weather-proof IP66-rated housing
Networking	<ul style="list-style-type: none"> 10/100 Mbps Ethernet, RJ-45 Onvif support Protocols: IPv4, IPv6, TCP/IP, HTTP, HTTPS, UPnP, RTSP/RTP/RTCP, IGMP, SMTP, FTP, DHCP, NTP, DNS, DDNS, PPPoE, CoS, QoS, SNMP, and 802.1X 	Approvals	<ul style="list-style-type: none"> CE, LVD, FCC, VCCI, C-Tick
Alarm and Event Management	<ul style="list-style-type: none"> Triple-window video motion detection Tamper detection One D/I and one D/O for external sensor and alarm Event notification using HTTP, SMTP or FTP Local recording of MP4 file 	Operating Environments	<ul style="list-style-type: none"> Temperature: -20°C ~ 50°C (-4°F ~ 122°F) Humidity: 90% RH
On-Board Storage	<ul style="list-style-type: none"> MicroSD/SDHC card slot Stores snapshots and video clips 	Viewing System Requirements	<ul style="list-style-type: none"> OS: Microsoft Windows 7/Vista/XP/2000 Browser: Mozilla Firefox, Internet Explorer 6.x or above Cell phone: 3GPP player Real Player: 10.5 or above Quick Time: 6.5 or above
		Installation, Management, and Maintenance	<ul style="list-style-type: none"> Mounting bracket with cable concealment RS-485 interface for scanners, pan/tilts Installation Wizard 2 32-CH ST7501 recording software Supports firmware upgrade
		Applications	<ul style="list-style-type: none"> SDK available for application development and system integration
		Warranty	<ul style="list-style-type: none"> 36 months

Dimension



All specifications are subject to change without notice. Copyright©2011 VIVOTEK INC. All rights reserved.

Distributed by:



VIVOTEK INC.

6F, No.192, Lien-Cheng Rd., Chung-Ho, New Taipei City, 235, Taiwan, R.O.C.
 | T: +886-2-82455282 | F: +886-2-82455532 | E: sales@vivotek.com

VIVOTEK USA, INC.

470 Lakeside Drive Suite C, Sunnyvale, CA 94085 USA
 | T: 408-773-8686 | F: 408-773-8298 | E: salesusa@vivotek.com