

DUNLOP[®]

DUNLOP[®]

**Network Camera
Technical Manual**

Notices

The information in this documentation is subject to change without notice and does not represent any commitment on behalf of DUNLOP. DUNLOP disclaims any liability whatsoever for incorrect data that may appear in this documentation. The product(s) described in this documentation are furnished subject to a license and may only be used in accordance with the terms and conditions of such license.

This documentation is issued in strict confidence and is to be used only for the purposes for which it is supplied. It may not be reproduced in whole or in part, in any form, or by any means or be used for any other purpose without prior written consent of DUNLOP and then only on the condition that this notice is included in any such reproduction. No information as to the contents or subject matter of this documentation, or any part thereof, or arising directly or indirectly therefrom, shall be given orally or in writing or shall be communicated in any manner whatsoever to any third party being an individual, firm, or company or any employee thereof without the prior written consent of DUNLOP. Use of this product is subject to acceptance of the DUNLOP agreement required to use this product. DUNLOP reserves the right to make changes to its products as circumstances may warrant, without notice.

This documentation is provided "as-is," without warranty of any kind.

DP-22CD1793PF-E / V2.0



Key Features

- Real time video at 4CIF
- Standard video compression with high compression ratio
- Support dual stream, and the sub-stream for mobile surveillance
- Up to 32 GB SD/SDHC card for on-board storage
- Two-way audio
- PoE (Power over Ethernet)
- Auto-iris, electronic shutter for different surveillance environments
- Support analog video output for adjustment and installation
- 3-axis (pan/tilt/rotation) positioning allows adjustment for optimum camera rotation and position
- Impact Protection: IEC60068-2-75 test, Eh, 50J; EN50102, up to IK10
- Other functions: heartbeat, PTZ control, alarm, reset button, mirror, etc.

Specification

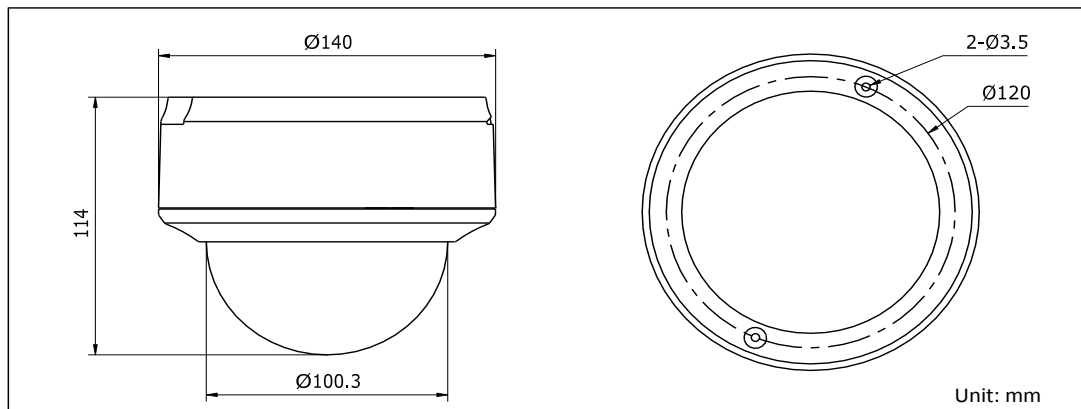
Model	DP-22CD1793PF-E / V.2
Parameter	4 CIF CCD Vandal-proof Network Dome Camera
Camera	
Image Sensor	1/3" SONY CCD
Signal System	PAL/NTSC
Min. Illumination	0.02 Lux @ (F1.2, AGC ON) 0.027 Lux @ (F1.4, AGC ON) -I: 0.02 Lux @ (F1.2, AGC ON), 0 Lux with IR 0.027 Lux @ (F1.4, AGC ON), 0 Lux with IR
Shutter Speed	1/25 (1/30) s to 1/100,000 s
Lens	2.8-11mm @ F1.4, Angle of view: 70 °18 °

	-Z: Motorized VF lens, 2.8-12mm @ F1.2, Angle of view: 98 °-27 °
Lens Mount	Φ14
Auto-iris	DC drive
Angle Adjustment	Pan:0° - 360°, Tilt: 0° - 75°, Rotation: 0° - 360°
Day & Night	Electronic (-I: IR cut filter with auto switch)
Compression Standard	
Video Compression	H.264/MPEG4/MJPEG
Video Bit Rate	32 Kbps – 8 Mbps
Audio Compression	G.711/G.726
Audio Bit Rate	64Kbps(G.711) / 16Kbps(G.726)
Dual Stream	Yes
Image	
Effective Pixels	795 (H) × 596 (V)
Frame Rate	50 Hz: 25 fps (704 × 576) 60 Hz: 30 fps (704 × 480)
Image Setting	Saturation, Brightness, Contrast adjustable by client software or web browser
Network	
Network Storage	NAS (iSCSI optional)
Alarm Trigger	Motion detection, Tampering alarm, Network disconnect , IP address conflict, Storage exception
Protocols	TCP/IP, HTTP, DHCP, DNS, DDNS, RTP, RTSP, PPPoE, SMTP, NTP, UPnP, ICMP, IGMP, SNMP, FTP, 802.1x, QoS, HTTPS (SIP, SRTP, IPv6 optional)
Security	User Authentication, Watermark
Standard	ONVIF, PSIA, CGI
Interface	
Audio Input	1-ch 3.5 mm audio interface, MIC IN/Line IN
Audio Output	1-ch 3.5 mm audio interface (Line level, 600 Ω)
Communication Interface	1 RJ45 10M/100M Ethernet port and 1 RS-485 interface
Alarm Input	2
Alarm Output	2
Video Output	1Vp-p composite output (75 Ω/RCA, for lens adjustment when installation)
On-board storage	Built-in SD/SDHC slot, up to 32 GB
Reset Button	Yes
General	

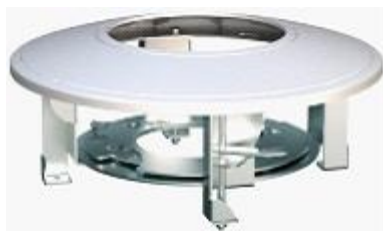
Operating Conditions	-25 °C – 60 °C (-13 °F – 140 °F) Humidity 95% or less (non-condensing)
Power Supply	12 V DC ± 10% PoE (802.3af)
Power Consumption	6W~11W (IR: 2W, Motorized VF lens: 3W)
Impact Protection	IEC60068-275Eh, 50J; EN50102, up to IK10
IR Range	-I: Approx. 10 to 20 meters
Dimensions	Φ 140 × 114 mm (Φ 5.51" × 4.49")
Weight	1400 g (3.09 lbs)

* "-Z" is equipped with Motorized VF lens

Dimensions



Accessories



Indoor in-ceiling mount
DS-1227ZJ



Vandal-proof wall mount
DS-1229ZJ