

DP-22TD2235D-25/50

Thermal + Optical Bi-spectrum Network Bullet Camera



Key Features

Smart Function (Thermal Imaging)

- Smart detection: intrusion detection, line crossing detection, region entrance detection, region exiting detection, audio exception detection
- Smart recording: support edge recording
- Smart encoding: support low bitrate、SVC adaptive codec technique

IR Function

- High-performance IR array, up to 120m IR distance
- Smart IR Function
- Built-in temperature conditioner

System Function

- Open-ended API, support HIKVISION SDK, ONVIF, CGI and PSIA
- Support PAL
- Each stream supports recording, each HD channel support independent resolution, frame rate and stream rate setting
- Code smoothness setting for different requirements of image quality and fluency
- Multiple OSD color: Black & white self-adaptive; Custom
- Open-ended API, support HIKVISION SDK, ONVIF, CGI and PSIA
- Automatically adaptive to HIKVISION, Pelco-P/D
- 3D intelligent positioning function
- Power-off memory function: restore PTZ & lens status after reboot
- Lightning protection, surge protection and voltage transient protection
- IP66
- System backup
- Lightning protection, surge protection and voltage transient protection
- Support one audio input and one audio output
- Support one RS-485

Visible Light Module Function:

- Ultra low light, high performance 1/1.8" Progressive CMOS sensor, up to 1920x1080
- Support WDR up to 120dB, 3D-DNR, auto shutter, auto Iris, slow shutter, auto white balance, backlight compensation,
- Support rotate mode, suitable for environment as corridor
- Min.Illumination(color):0.002Lux @(F1.2,AGC ON); Min. Illumination(black):0.0002Lux @(F1.2,AGC ON)
- Support defog, electronic image stabilizer(EIS)
- IR cut filter with auto switch
- Smart IR, prevent over-exposure in close distance

Thermal Imaging Module Function

- 384*288 resolution, high sensitivity sensor, support contrast adjustment
- Support shutter adjustment in various modes
- 3D DNR, 14 pseudo colors adjustable, image detail enhancement
- Support mirror image
- 24/7 long-distance surveillance, 25mm and 50mm lens optional

Network Function

- Ethernet control
- View image and realize control by IE and client software
- Built-in Micro SD/SDHC/SDXC card slot, Max. 64G
- Support up to 8 NAS, edge recording
- Support three-level user, authorized user and password, HTTPS encryption, IEEE 802.1x access control and IP address filtering
- Support dual-stream technology
- Support H.264/MJPEG/MPEG4 (H.264: Baseline/Main/High Profile),; real-time output resolution HDTV1080p (SMPTE274M Standard), 960p and HDTV720p (SMPTE296M Standard)
- Support NAS、Email、FTP、NTP Server testing
- Support security certification as HTTPS, SSH, support creating certificate
- Basic and digest certification is supportable in IE configuration
- Lock user IP for many times error login, and password complexity notification

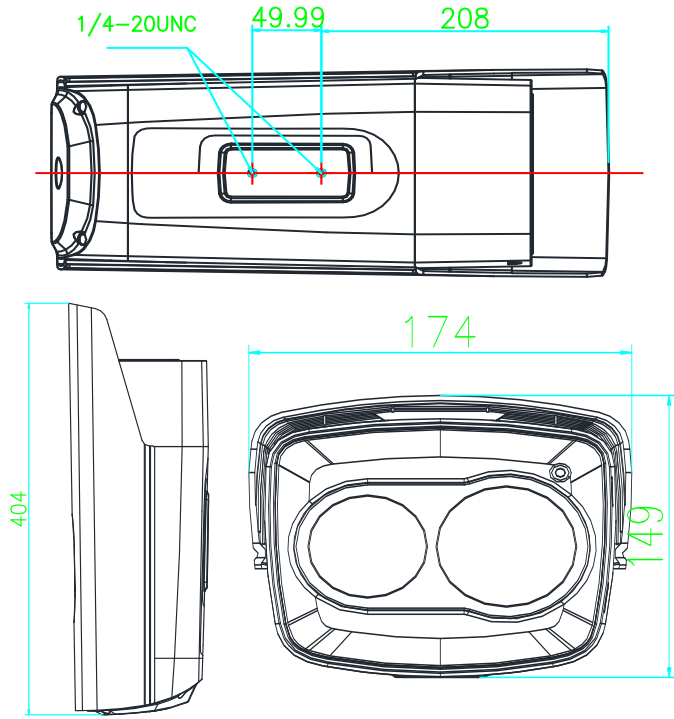
Application Scenario

Thermal + Optical Bi-spectrum network bullet camera can be widely applied in scenarios with low visibility, zero visible light and strong light interference. It has good performance in large-scale scenarios such as airports, harbors, oil fields, borders, forests, grasslands, scenic sights, military installations, etc.

Specification

Model		DP-22TD2235D-25, DP-22TD2235D-50		
Parameter		Thermal + Optical Bi-spectrum Network Bullet Camera		
Thermal Module	Image sensor	Vanadium Oxide Uncooled Focal Plane Detectors		
	Max. Resolution	384 × 288		
	Response waveband	8~14μm		
	NETD	< 50mk(@25°C,F#=1.0)		
	Reference	Human:1.8mx0.5m	Vehicle: 1.4mx4.0m	
	Lens (focal length)	25mm	50mm	
	Lens (Visible Light)	11-40mm		
	MRTD	1.0	0.5	
	Detection range (Vehicles)	1533m	3067m	
	Detection range (Humans)	500m	1000m	
	Recognition range (Vehicles)	383m	767m	
	Recognition range (Humans)	125m	250m	
	Identification range (Vehicles)	192m	383m	
	Identification range (Humans)	63m	125m	
	Field angle	21.7°×16.4°	11.0°×8.2°	
	F number	1.0	1.0	
Power-off memory	Support			
Image Setting	Brightness, AGC, DDE, FFC adjustable via client software or web browser			
Color Palette	White Hot, Black Hot, Fusion1, Rainbow, Fusion2, Ironbow1, Ironbow2, Sepia, Color1, Color2, Ice Fire, Rain, Red Hot, Green Hot			
Infrared	IR distance	120m		
	IR intensity	Automatically adjusted		
Network	Max. image resolution	1920×1080 (visible light), 384×288 (thermal)		
	Main stream	50Hz:25fps(1920×1080), 25fps(1280×960), 25fps(1280×720) (visible light) 60Hz:30fps(1920×1080), 30fps(1280×960), 30fps(1280×720) (visible light) 50Hz:25fps(384×288) (thermal)		
	Sub stream	50Hz:25fps(704×576), 25fps(352×288), 25fps(176×144) 60Hz:30fps(704×480), 30fps(352×240), 30fps(176×120) 50Hz:25fps(160×120) (thermal)		
	Video compression	H.264/MJPEG/MPEG4, H.264 encoding with Baseline/Main/High Profile		
	Audio compression	G.711u/G.711a/G.722.1/MP2L2/G726/PCM		
	Protocols	IPv4/IPv6,HTTP,HTTPS,802.1x,Qos,FTP,SMTP,UPnP,SNMP,DNS,DDNS,NTP,RTSP,RTCP,RTP,TCP,UDP,IGMP,ICMP,DHCP,PPPoE,Bonjour		
	Simultaneous live view	Up to 20		
	User/Host level	Up to 32 users, 3 levels: Administrator, Operator, User		
Integration	Security measures	User authentication (ID and PW), MAC address binding, HTTPS encryption, IEEE 802.1x access control, IP address filtering		
	Alarm input	1 inputs (0-5VDC)		
	Alarm output	1 relay outputs, alarm response actions configurable		
	Alarm action	SD recording/Relay output/Smart capture/FTP upload/Email linkage		
	Audio input	1 Mic in/Line in interface. Line input: 2-2.4V[p-p], output impedance:1KΩ±10%		
	Audio output	Line level, impedance: 600Ω		
	Ethernet	1 RJ45 10M/100M Self-adaptive Ethernet interface		
	SD memory card	Built-in Micro SD card slot, support Micro SD/SDHC/SDXC card (up to 64G), support manual/alarm recording		
	Analog video output	1.0V[p-p] / 75Ω, PAL(or NTSC), BNC		
	RS485 protocols	Half-duplex; HIKVISION, PELCO-P, PELCO-D, self-adaptive		
	Application programming	Open-ended API, support ONVIF, PSIA, CGI, HIKVISION SDK and third-party management platform		
	Client	iVMS-4200		
General	Web browser	IE7+, Chrome18+, Firefox5.0+, Safari5.02+		
	Menu language	Chinese/English		
	Power	AC24V 40W max		
	Working temperature Humidity	-40 °C-65°C(-40°F-140°F) 90% or less		
	Protection level	IP66 TVS 6000V Lightning protection, surge protection, voltage transient protection		
Weight	7kg			

Dimensions



Accessories



- Code: 302700862
- Model: DP-1293ZI-T

Ordering Model

- DP-22TD2235D-25 AC24V
- DP-22TD2235D-50 AC24V