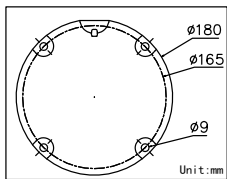
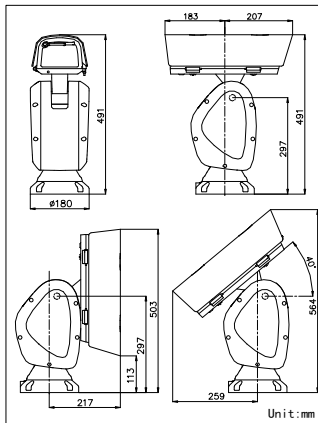


DP-22DY9187-A

2MP 32X Low illumination Network Positioning System



Dimension:



Functions

- 1920×1080 Full HD output
- Super low illumination
- Wide movement range
- 32X optical zoom, 16X digital zoom
- True Day/Night, D WDR, 3D DNR, Defog
- 3D intelligent positioning
- Triple stream
- Audio/Alarm I/O
- Wiper for self-cleaning

Specification

| | |
|----------------------------------|--|
| Model | DP-22DY9187-A |
| | 2MP 32X Low illumination Network Positioning System |
| Camera | |
| Image Sensor | 1/2.8" Progressive Scan CMOS |
| | Color: 0.05Lux @ (F1.8, AGC ON) |
| Min. Illumination | B/W: 0.001Lux @ (F1.8, AGC ON) |
| Day & Night | ICR |
| Focus Mode | Auto / Semiautomatic / Manual |
| Shutter Time | 50Hz: 1/1-1/30,000s; 60Hz: 1/1-1/30,000s |
| S / N Ratio | >52dB |
| Digital Zoom | 16X |
| White Balance | Auto / Manual /ATW/Indoor/Outdoor/Daylight lamp/Sodium lamp |
| AGC | Auto / Manual |
| Lens | |
| Focal Length | 8-250mm, 32x |
| Angle of View | 33.4-1.1 degree (Wide-Tele) |
| Min. Working Distance | 10-1500mm(Wide-Tele) |
| Aperture Range | F1.8-F6.1z |
| Image | |
| Main Stream | 50Hz:25fps(1920×1080), 25fps(1280×960), 25fps(1280×720) 60Hz:30fps(1920×1080), 30fps(1280×960), 30fps(1280×720) |
| Sub Stream | 50Hz:25fps(704×576), 25fps(352×288), 25fps(176×144) 60Hz:30fps(704×480), 30fps(352×240), 30fps(176×120) |
| Third Stream | 50Hz: 25fps(1920×1080), 25fps(1280×960), 25fps (1280×720), 25fps(704×576), 25fps (352×288), 25fps (176×144) 60Hz: 30fps(1920×1080), 30fps(1280×960), 30fps (1280×720), 30fps(704×480), 30fps (352×240), 30fps (176×120) |
| Image Compression | H.264(Baseline, Main, High Profile)/MJPEG/MPEG4 |
| Audio Compression | G722.1/G.711ulaw/G.711alaw/MP2L2/G.726 |
| SVC | Support |
| ROI | Support 24 areas with adjustable levels |
| Protocols | IPv4/IPv6,HTTP,HTTPS,802.1x,Qos,FTP,SMTP,UPnP,SNMP, DNS,DDNS,NTP,RTSP,RTP,TCP,UDP,IGMP,ICMP,DHCP,PPPoE |
| Standard | ONVIF, PSIA, CGI |
| Others | Defog, EIS, Privacy Mask, 3D DNR, BLC, WDR |
| Pan & Tilt | |
| Movement Range | Pan: 360° endless, Tilt: +40° ~ -90° |
| Movement Speed | Pan: 0.1°-100°/s, Tilt: 0.1°-40°/s |
| Number of Preset | 256 |
| Patrol | 8 patrols, up to 32 presets per patrol |
| Pattern | 4 patterns, with the recording time not less than 10 minutes per pattern |
| Power-off Memory | Support |
| Park | Support |
| Proportional Zoom | Support |
| PTZ Position Display | On / Off |
| System Integration | |
| Menu | Chinese/English |
| 3D Positioning | Support |
| Preset Freezing | Support |
| Scheduled Task | Support |
| Alarm I/O | 7 alarm inputs, 2 alarm outputs, alarm linkage |
| Alarm Action | Preset / Patrol / Pattern / SD card recording/ Aux output/ E-map on Client |
| Audio I/O | 1/1 |
| Ethernet | 10Base-T / 100Base-TX, RJ45 connector |
| CVBS Output | 1.0V[p-p] / 75Ω, NTSC (or PAL) composite, BNC |
| RS485 | Half duplex, HIKVISION, Pelco-P, Pelco-D, self-adaptive |
| Onboard Storage | Built-in Micro SD/SDXC card slot, up to 32GB edge recording |
| Number of Simultaneous Live View | Up to 10 |
| User/Host Level | Up to 32 users,3 Levels: Administrator, Operator and User |
| General | |
| Power | AC24V, Max. 90W |
| Working Temperature / Humidity | -40 °C-70°C (-40°F -158°F), 90% or less |
| Protection Level | IP66 standard TVS 6,000V lightning protection, surge protection and voltage transient protection |
| Dimensions(mm) | 180×491×390 |
| Weight (approx.) | 15kg(33.07lb) |