

## DP-22DY5223IW-DM 2MP 23X Mobile Ultra -low illumination IR Positioning System Lite

**DARKFIGHTER**



Dunlop darkfighter series DP-22DY5223IW-DM Network IR Positioning System Lite is able to capture high quality images in dim light environment. Embedded with 1/1.9" progressive scan CMOS chip makes true WDR and 2MP real-time resolution possible. With the 23X optical zoom Day/Night lens, the positioning system offers more details over expansive areas.

Dunlop darkfighter series DP-22DY5223IW-DM Network IR Positioning System Lite also features Smart Defog and EIS (Electronic Image Stabilization), which can further supported to improve image quality in challenging conditions.

### Key Features

- 2MP, 1920 x 1080
- 23X optical zoom, 16X digital zoom
- Ultra-low illumination (0.002Lux/F1.5(color), 0.0002Lux/F1.5(black), 0 Lux with IR)
- Low bit rate, true WDR, Defog, Smart IR
- 3D intelligent positioning
- Power-off memory, proportional zoom
- Analog/Network dual output
- Support Wiper
- Up to 150m IR distance



# DP-22DY5223IW-DM 2MP 23X Mobile Ultra -low illumination IR Positioning System Lite

**DARKFIGHTER**



## Function Description

### Basic function:

- High performance CMOS, up to 1920x1080 resolution
- $\pm 0.1^\circ$  Preset Accuracy
- ONVIF(OpenNetwork Video Interface Forum), CGI(Common Gateway Interface), PSIA(Physical Security Interoperability Alliance), to ensure greater interoperability between different platforms and compatibility
- 3D intelligent positioning function
- 3D DNR
- IP66 standard
- 7 alarm inputs and 2 alarm outputs

### Smart function:

- Smart image processing: support defog/HLC/BLC
- Smart codec: low bit rate, ROI
- Smart detection: support Face detection, Intrusion detection, Line crossing detection, Audio exception detection, Region entrance detection, Region exiting detection

### Camera function:

- Auto iris, auto focus, auto white balance, backlight compensation and auto day & night switch
- Min. Illumination: Color : 0.002Lux @ (F1.5, AGC ON), B/W : 0.0002Lux @ (F1.5, AGC ON)
- Support 24 privacy masks

### PTZ function:

- 360° endless pan range and 90° ~ 90° tilt range
- 0.1° ~ 80° /s Manual Pan Speed and 0.1° ~ 40° /s Manual Tilt Speed
- 300 presets programmable; preset image freezing capability
- 8 patrols, up to 32 presets per patrol
- 4 patterns, with the recording time not less than 10 minutes per pattern
- Proportional zoom function
- Park action: auto call up of PTZ movement, after a defined time of inactivity
- Power-off memory: restore PTZ & Lens status after reboot

### Network function:

- H.265/H.264/MJPEG video compression
- H.264 encoding with Baseline/Main/High profile
- ROI(Region of Interest) encoding(support 2 areas with adjustable levels)
- Built-in Web server
- Onboard storage, up to 128GB
- Support up to 8 NAS storage; Edge recording(transmit the videos from SD card to the NAS after network resumed)
- HTTPS encryption and IEEE 802.1X port based network access control
- Support tripstreams
- Multiple network protocols supported: IPv4/IPv6, HTTP, HTTPS, 802.1X, QoS, FTP, SMTP, UPnP, SNMP, DNS, DDNS, NTP, RTSP, RTP, TCP, UDP, IGMP, ICMP, DHCP, PPPoE
- 1 audio input and 1 audio output

# DP-22DY5223IW-DM H.265 2MP 23X Mobile Ultra-low illumination IR Positioning System Lite



**DARKFIGHTER**

<b>Model</b>	DP-22DY5223IW-DM
<b>Camera Module</b>	
Image Sensor	1/1.9" Progressive Scan CMOS
Max. Image Resolution	1920 X 1080
Min. Illumination	Color : 0.002Lux @ (F1.5, AGC ON) B/W : 0.0002Lux @ (F1.5, AGC ON)
Day & Night	ICR
Focus Mode	Auto / Semiautomatic / Manual
Shutter Time	1/1-1/10,000s
S / N Ratio	>52dB
Digital Zoom	16X
White Balance	Auto / Manual / ATW/Indoor/Outdoor/Daylight lamp/Sodium lamp
AGC	Auto / Manual
<b>Lens</b>	
Focal Length	5.9-135.7mm, 23X
Angle of View	59.8° ~3.0° (Wide-Tele)
Min. Working Distance	10-1500mm(Wide-Tele)
Aperture Range	F1.5-F3.4
<b>Image</b>	
Main Stream	50Hz:25fps(1920× 1080), 25fps(1280× 720) 60Hz:30fps(1920× 1080), 30fps(1280× 720)
Sub Stream	50Hz:25fps(704× 576), 25fps(352× 288), 25fps(176× 144) 60Hz:30fps(704× 480), 30fps(352× 240), 30fps(176× 120)
Image Compression	H.265/H.264(Baseline, Main, High Profile)/MJPEG
Audio Compression	G.711ulaw/G.711alaw/G.726/MP2L2/G.722/PCM
SVC	Support
Protocols	IPv4/IPv6,HTTP,HTTPS,802.1x,Qos,FTP,SMTP,UPnP,SNMP,DNS,DDNS,NTP,RTSP,RTP,TCP,UDP,IGMP,ICMP,DHCP,PPPoE
Standard	ONVIF, PSIA, CGI, Genetec
Others	Defog, EIS, Privacy Mask, 3D DNR, BLC, true WDR
<b>Smart Features</b>	
Smart detection	Face detection, Intrusion detection, Line crossing detection, Audio exception detection, Region entrance detection, Region exiting detection
ROI encoding	Support 12 areas with adjustable levels
<b>Infrared</b>	
IR Distance	Up to 150m
IR Intensity	Automatically adjusted, depending on the zoom ratio
<b>Pan and Tilt</b>	
Movement Range	Pan: 360° endless, Tilt: +90° ~-90°
Movement Speed	Pan: 0.1° ~80° /s, Tilt: 0.1° ~40° /s
Number of Preset	300
Patrol	8 patrols, up to 32 presets per patrol
Pattern	4 patterns, with the recording time not less than 10 minutes per pattern
Park	Support

**DUNLOP**

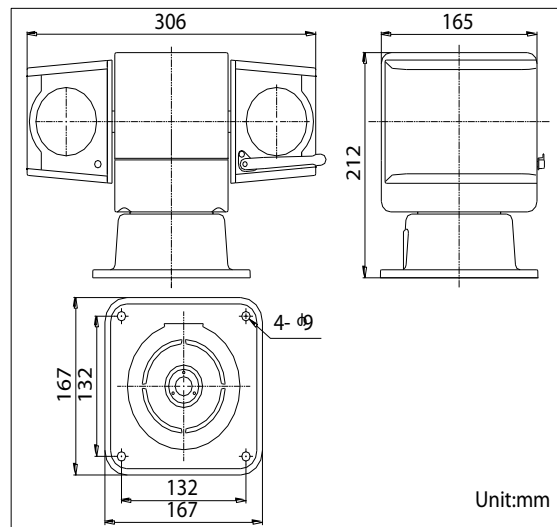
# DP-22DY5223IW-DM 2MP 23X Mobile Ultra -low illumination IR Positioning System Lite

**DARKFIGHTER**



Proportional Zoom	Support
PTZ Position Display	On / Off
Simultaneous Live View	Up to 20 users
<b>System Integration</b>	
Menu	English
3D Positioning	Support
Preset Freezing	Support
Scheduled Task	Support
Alarm I/O	7 alarm inputs, 2 alarm outputs
Ethernet	1 RJ45 10M/100M Ethernet interface
CVBS Output	1.0V[p-p] / 75Ω, NTSC (or PAL) composite, BNC
RS485	Half duplex, DUNLOP, Pelco-P, Pelco-D, self-AI2daptive
Onboard Storage	Built-in Micro SD/SDXC card slot, up to 128GB, manual/alarm recording, ANR
Number of Simultaneous Live View	Up to 20
User/Host Level	Up to 32 users,3 Levels: Administrator, Operator and User
<b>General</b>	
Power	DC12V, Max. 40W
Working Temperature/Humidity	-40° C ~ 65° C, humidity 90% or less
Protection Level	IP66 standard, TVS 6,000V lightning protection, surge protection and voltage transient protection
Dimensions(mm)	306× 167× 212
Weight(approx.)	7.8kg

## Dimensions



**DUNLOP**